

# THE NCCC

# NEWSLETTER OF THE NORTHERN CALIFORNIA CONTEST CLUB

# JUG



EDITOR, W6ISQ  
JOHN G. TROSTER  
ED ASST. KC6NFE  
82 BELBROOK WAY  
ATHERTON, CA., 94027

NUMBER 237  
FEBRUARY, 1992

**PRESIDENT: KA6ING**

**V.P./ CONTEST CHAIR: N3AHA**

**SEC /TREASURER:KJ6LD**

**DIRECTORS: W6ISQ WA6SDM N6TV W0ZZ**

## UPCOMING CONTESTS DE ACE, N3AHA

## BREEZE FROM LOUESE WHAT'S NEWZE, LOUESE

### FEBRUARY

- 8 - 9 Dutch PACC
- 8 - 9 NA SSB Sprint
- 8 - 9 EA RTTY
- 15 - 16 ARRL DX CW
- 22 - 23 CQ WW 160M SSB
- 22 - 23 UBA CW
- 22 - 23 REF SSB

### MARCH

- 7 - 8 ARRL DX SSB
- 14 - 15 JA INT'L DX CW
- 28 - 29 CQ WW WPX SSB

W6ISQ: Hello Louese. What do you want to tell your Miserable Munchkins (MMs) this month?

KA6ING: Hi Jack!

ISQ: Don't say that around an airport.

ING: And they are not MMs. They are nice people, this month.

ISQ: Then pray, what are the good words for the Munchies this month?

ING: I want all our MMs to mark their calendars right now for Field Day. Again, a great gathering is planned for K6ZM's QTH, just like last year. FD was a great operation and a fine family outing with good visiting and operating for all.

ISQ: I remember all their photos in the JUG. Lotsa food.

ING: Please call WR6R or WB6MZQ who will be organizing the fray. They need volunteers again to put up towers and bring in equipment on Friday and Saturday mornings like last year.

ISQ: And will you be saying much more on this later?

ING: Of course, you think this is the last you're gonna hear about FD? We'll have oodles more. But then it takes oodles and then some to get the MMs attention.

ISQ: Any other alerts for the Munchies?

ING: I sent club member labels to the Southern California DX Club who will run the Visalia DX Convention this year. So, expect your invite to show in the mail. We hope all will sign up. There is always a good contest program. But do not wait too long to locate your motel housing. You will probably have to seek a motel in town at this late date.

ISQ: I know about housing. I was late one year and wound up in a motel in Tulare, 25 miles south. So what else?

(Louese Con't Page2, Col 1)

### INSIDE THIS ISSUE

Next Meeting.....	Page2
NCCC Scores.....	Page 3
January Meeting.....	Page4
Voice Keyer.....	Page 5
Bulletin Board.....	Page 6
Yasme Report.....	Page 6
Trosteroster.....	Page7
K1EA Thanks.....	Page 8
floral Antenna.....	Page 8
Template for IBM CT.....	Page8
Henry's Honkings.....	Page9
ByLaw Change.....	Page9

Plus Photos by W6ISQ



(Brese Con't from page 1)

ING: The February club meeting is about CQP. The results will be out soon, and I want to seize the moment to have a discussion of how to go on a contexpedition for CQP next October. We will have knowledgeable speakers who will talk about what it takes, where to go, how to do it, equipment, strategieys, ekcetera ekcetera. We want people to begin thinking about CQP Right Now, with the idea that they will all want to head for the rare hill. It is, after all, THE Big State contest in the U.S. of A, ya know!

ISQ: You are a most forceful enthusiast. And, ah yes, I remember the old great days when N6BT and W6SZN ran many counties from their mobile home with a tribander mounted on the back step flying down the freeway at 65, oops, it was 55 then. So who will be your expert show and tell talkers?

ING: Already we have our Very Own Sec-Treas HENRY KJ6LD, "CRAZY GEORGE", KI6CG, and himself, TOM N6TB. It will be wide open for all to participate with As and Qs too.

ISQ: I can hardly stand to QRX. What else ya got for the Munchies?

ING: We want the MMs to think "Service to the NCCC". Think of it as the Northern California Contest Community, that is. There will be elections for new ossifiers in a couple of months and it would be great if those who have never held office would volunteer now to share the load.

ISQ: It is not much of a load because all NCCC members are so smart they make the work look easy and simple. Let's use the slogan, "JUST SAY YES".

ING: I like that. Has a familiar ring to it. Also remember that BOB, N6EK, has been doing his CQP awards chores for six years. He wants to transcend to other matters.

ISQ: Would he like to write for the JUG?

ING: Then we have GARY, WA6VEF and NIKKI, VE7NKK. And spell that name with only ONE "K" this time. Time you learned how to spell.

ISQ: You mean NIKKI is really NIKI? Ahhhhh, will she have the same call?

ING: Of course. You just been misspellink her name for two years. Like I said, GARY and N I K I would also like to move onward and upward. Gary has been involved in CQP since the contest began, and between them they have been diligent CQP contestants and compilers. They would like to be just contestants for a while.

ISQ: You think they would like to write for the JUG? We know everyone associated with the CQP year after year has done an excellent job in keeping it so smooth running, and we in NCCC are most grateful to them, as are the ops all over the world who participate. Let's give them and EK-BOB a break. Volunteers!, to the packet, quick! Step up, lend hand, head and computer. How 'bout if we award all CQP workers an extra 25 Qs and 5 mults credit in the contest?

ING: Letseeee—is there anything else?

ISQ: Nah, ya might have scared 'em too bad aready with all that volunteer talk. Sign off.

ING: Diddleedahdeedah.

ISQ: Your CW ain't bad.



STEVE WB6MZQ, FIELD DAY CO-ORGANIZER

\*\*\*\*\*NEXT MEETING\*\*\*\*\*

**FEBRUARY 21, 1992**  
**HARRY'S HOFBRAU**

399 West El Camino Real Mt. View  
**Board Meeting 6:14 pm**  
Beginnings 6:03 pm Eatings, Cafeteria  
style, 6:56 pm

Program 7:37 pm  
**CQP WHAT, WHERE, WHY, HOW**  
**FEATURING KI6CG, KJ6LD, & N6BT**

#### **DIRECTIONS TO HARRY'S HOFBRAU**

From either direction on Highway 280,  
take Highway 85 toward the Bay. Take El Camino Real, north.  
Go 3 to 4 blocks to Harry's on left.

From Bayshore 101, driving south, take west off at  
Highway 85, to El Camiono Real. Turn north on El Camino 3 to  
4 blocks to Hary's on left.

From Bayshore 101, driving north, turn off at  
Moffatt Blvd, Highway 237. Drive west to El Camino Real, turn  
north, go 3 to 4 blocks to Harry's on left.



# ACE'S SPACE

de VP/CC ACE N3AHA

## NCCC SCORES

Key to Categories:

- S/O = Single-op
- S/U = Single-op, assisted
- M/S = Multi-single xmtr
- M/2 = 2 xmtr multi-2multi
- M/M = Multi-multi
- 10 = Single-band 10

1991 CQ WW SSB Claimed Scores:

Call	Qs	Zones	DX	NCCC Points	Cat
P40V	6278	134	365	9,293,376	S/O
WR6R/KH6	4777	126	238	5,091,996	S/O
W6QHS	2570	155	447	4,251,324	M/S
+ WOZZ, K0RP, KK6OM, N6TV, WZ6Z					
W6GO	2421	154	444	3,777,566	M/S
+AA6LB, AA6WJ, N6IG, NB6G, NV60 33%					
N6KT	2041	133	327	1,259,188	S/O
NH6T	2658	92	155	1,934,998	S/O LOW
AA6PG	1421	122	260	1,492,092	S/O
AG6D	1254	129	292	1,332,465	M/S
KI3V	830	118	272	828,750	S/U
N6DA	884	98	217	751,275	S/O
W6BSY	816	97	239	741,888	S/O
N6EK	984	102	184	740,454	S/O
N6CCL	621	98	234	523,896	S/U
N6ST	468	93	246	420,699	S/U
W6EEN	593	93	202	409,165	M/S
W6FSJ	444	85	173	305,988	S/O
KE6ZE	471	87	142	278,464	S/O
N6IP	405	67	114	208,331	S/O LOW
VE7NKI	1291	23	50	196,370	S/O 10
WX6M	658	27	77	181,684	S/O 10
K4UVT/6	262	66	111	121,422	S/O
KS6H	271	58	118	120,560	S/O
K6LRN	170	66	110	80,432	S/U
N6XI	186	54	109	79,218	S/U
K6PU	166	29	74	44,393	S/O 10
W6BIP	104	25	55	21,600	S/O 10

1991 ARRL SS CW Claimed Scores:

Call	Qs	Mults	NCCC Points	Cat
N5AU (WN4KKN)	1384	77		S/O
WA7NIN (N6TV)	1225	77	188,650	S/O
N6RO	1205	77	185,570	S/O
KI3V/7	1196	77	184,184	S/O
WA6AUE	1065	77	164,010	S/O
N6EK	1022	76	155,344	S/O
W1FEA	971	76	147,592	S/O
W6BIP (+N1EE)	905	77	139,370	M/S
NC7K	814	76	123,728	S/O LOW
WB6CJE	775	75		S/O
VE7NTT	616	71		S/O 10
AEOM	193	51	19,686	S/O
N6IP	134	62	16,616	S/O LOW
W6CF	111	43	9,546	S/O

1991 ARRL SS SSB Claimed Scores:

Call	Qs	Mults	NCCC Points	Cat
WA7NIN (N6KT)	2453	77	377,762	S/O
KI3V/7	2056	77	316,624	S/O
W6BSY	1548	77	238,392	S/O
W6BIP	764	74	113,072	S/O
W6EEN	486	75	72,900	S/O
W1FEA	417	72	60,048	S/O
N6EK + AA6LP	481	61	58,682	M/S
N6RO	256	67	34,304	S/O
W6CF	123	49	12,054	S/O

1991 CQ WW CW Claimed Scores:

Call	Qs	Zones	DX	NCCC Points	Cat
W6GO	2136	158	421	3,445,629	M/S
NB6G 20%					
AG6D (+5 OPS)	1957	146	352	2,670,000	M/S
KI3V/7	1412	142	353	1,945,350	S/U
GB5CW (AA6MC)	2307	108	360	1,917,396	S/U
P4/N6BT	1863	75	198	1,492,764	M/S LOW
OPS (N6BT, WOZZ, N6TV)					
N6DA				1,200,000	S/O
NP6S	996	118	256	1,062,160	M/S
N6EK	1073	119	217	1,017,744	S/O
AA6KX	478	118	232	447,300	S/O
NT7E	552	99	188	440,545	S/O
W6BIP	418	128	245	424,474	S/O
W6QHS	662	31	91	231,434	S/O 10
N16T	279	110	190	223,800	S/U
K6HIH	370	93	130	218,763	S/O
WA6AUE	561	32	107	218,508	S/O 40
W6BSY	508	32	93	165,875	S/O 15
N6GG	208	89	134	127,333	S/O
K4UVT/6	212	57	99	86,580	S/O
W6ISO	229	28	65	61,380	S/U 10
W1FEA	317		65	58,240	S/O
KS6H	233	27	65	57,592	S/O 10
K6LRN	143	58	83	52,875	S/O
AJ6V	170	35	64	46,728	S/O
WX6M				24,309	S/O
KI6YB	109	26	54	23,680	S/O 20 LP
N6XI	45	16	25	5,002	S/O
W6EEN	23	21	22	2,795	S/U
W6FAH	32	18	19	1,210	S/O 40

1991 ARRL 10 Meter Contest Claimed Scores:

Call	Qs	Mults	DX	NCCC Points	Cat
P40V	3547	117	146	2,565,828	S/O
W1FEA	2655	213		1,430,934	S/O
KS6H	921	107		400,180	S/O
N6IP	600	104	50	299,684	S/O
N6CCL	999	57	66	245,754	M/S
W6EEN	627	55	63	147,736	M/S
W6BSY	724	99		143,352	S/O
W6FAH	1144	51		58,344	S/O

## MISCELLANEOUS SCORES

1991 ARRL 160 CONTEST

P40V	832	67		55,744	CW
AA6KX	363	61	3	50,112	CW
W1FEA	232	62		29,698	CW
W6BIP	206	52		21,892	CW LOW

1991 FALL SPRINT

N6RO	283	47		13,301	SSB
N6RO	274	41		11,234	CW
AJ6V				10,530	CW
W1FEA	230	41		9,430	CW
1992 NA QSO PARTY					
N1EE/6	514	18		94,062	CW



## JANUARY MEETING LOTS A CHATTER 'N NEWS

The January meeting was at Harry's Hofbrau in Mt. View. **ALEX, KI6EZ**, presented a slide show of the CQWW phone operation by the Finnish group at **PJ9W**, Curacao. His pictures showed huge towers all over a beach front property and extending over yonder up a ridge. Someone taking copious notes was heard to whisper, "Barb, you think we ought to buy the rest of the ridge down to Gilroy?"

In the Square Table that preceded the slide show, there was great expectation chatter from all directions. **JIM, WA6SDM**, announced for all to beware. He has a new R-5 vertical and is ready to get in the RTTY contest. Of course, he was immediately challenged by **ANDY, AE6Y**, who has a new 15 foot vertical. Get ready for the battle of the verticals come ARRL time.

**BOB, N6EK**, brought guest **ETHAN, KC6VCF**, an old friend from San Diego. Also EK-BOB announced he would be charging on both modes in the ARRL, maybe from overseas. He had to cancel out of a KC6 operation last fall (I think it was), so be prepared to hear from him and Susan someplace yonder.

There was a surprise attendee, **KEN, N6RO**, taking a break from the banjo strings to announce what we hope can be interpreted as a new era at the famous Oakley station. Ken announced he had been in six contests all by himself since last fall! RO will be undergoing a major upgrading/rebuilding program. FB Ken.

Then **BOB, N6TV**, gushed that he had a great time in Aruba and is expecting to return again—and again—and again. Yes, folks, "SANDY" is QRX on the beach down there. Sec/Treas **HENRY, KJ6LD**, announced he had been off the air. Try the main switch, Henry. We look forward to your return. **BOB, N6IP**, lamented that he only had 80 QSOs in four hours in the RTTY contest. Back to CW, Bob. Or check with **KN6J** or new member **WA6AHF**.

The "human rotator", **DAVE, W6QHS**, reported on his 10M single op effort in the CQWW CW. He had a basic physical, not electronic, problem. His 10M beam did not have a rotator. When Dave decided to rotate, he first had to consult his computer whether it was worth the effort. When the computer spit out a "YES, NOW", Dave had to sprint 100 yards to the tower, climb, and rotate. For **XYL, BARB, KK6QM**, it was a "well done" in her first complete CW test!

New dad, **STEVE, N6ST**, was in CQWW but told of missing the best opening on account of practicing pacing the floor to be ready for nights with new junior op.

Congrats to our Very Own Parliamentarian **BOB, W6RGG**, who finally made Top Ten single op single band 20 as guestop at **WZ6Z**. Bob now has an 80M antenna and has cranked the tower back up which means he will be out "sprinting".

**JOHN, N6OM**, reports he was away for every major contest last season. Also **ACE, N3AHA**, our VP/CC of all people, says he has not been in a contest since last March. (Background cheers from the **XYL**.) They've been going to lots of weddings back east. And **LOUESE, KA6ING**, just keeps picking them off on ten. She and **RUSS, K6KLY**, have been finding great DX on six.



LUNCH TIME AT FIELD DAY 1991

## AWARDS PROCLAMATION de CHAIRPERSON BOB N6EK

Our awards banquet will honor a full component of testers this March. The following seven people will be receive plaques for their outstanding performances during the CQWW contest: **N6DA, KI3V, AI6V, AA6MC, N6KT, W6QHS, AG6D**. In addition, plaques, certificates and wine bottles will be given for CQP.

**N6EK** will be stepping down as Awards Chairperson after the April election of officers. This is an appointed job, very important to the purposes of our club. If you would be interested in taking over, please contact **N6EK** right away so that you can start by working with him on the awards for this year and thus learn on-the-job. Also, we expect to look for a new place to have the plaques made, and as soon as the next chairperson is identified, we can focus on places which would be convenient for that person to use.



# Contest Voice Keyer Update CT Now Supports Voice Keyer STOP

K1EA's CT now supports immediate stop for the voice keyer presented in the October and November, 1991 JUG. This addition was made in CT version 7.21. Like the CW keyboard implemented in CT, the voice keyer immediately aborts transmission when the ESC key is pressed. Two circuit designs are shown.

## Circuit Description

The voice keyer incorporates STOP exactly like other messages. Pin 2 on the parallel port pulses high for a few milliseconds when the ESC (escape) key is pressed. This pulse is inverted and the voice keyer address and start lines are driven. This can be performed in either of two ways. The simplest uses a 2N3904 or equivalent NPN transistor. The other recruits an available inverter from the 74HC04 Hex Inverter IC.

The 2N3904 solution is formed by connecting a 1kΩ resistor to Pin 2 of the Centronix connector. The other end of the resistor goes to the NPN base, and its emitter is grounded. The collector parallels the STOP push-button switch. Now, when CT pulses parallel port pin 2 high, the NPN transistor turns on and activates the STOP "message". A 0.02μF capacitor from base to ground reduces computer noise. See Figure 1. Circuit additions are shown in bold.

Instead of adding another active device, we may use an available gate from the 74HC04 Hex Inverter IC. This version requires two resistors, two diodes, and a capacitor. The connection between 74HC04 Pin 14 and Pin 13 must be cut. The STOP signal arrives on Pin 2 of the Centronix connector and passes through a low-pass filter consisting of a 1.5kΩ resistor and 0.02μF capacitor. This filter reduces any

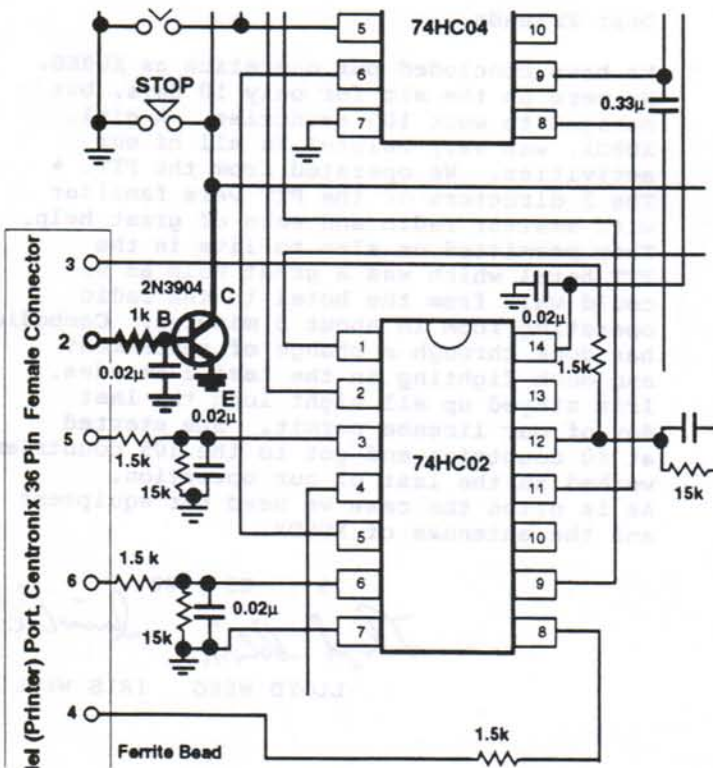


Figure 1. STOP Implementation with Added NPN

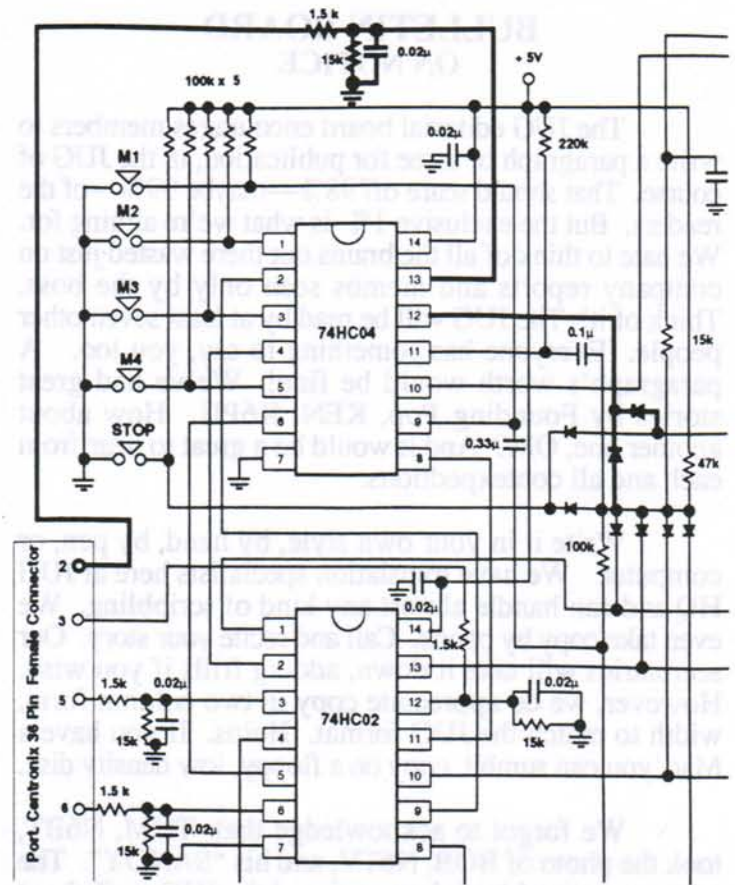


Figure 2. STOP Implementation with Available Gate

noise from the computer. A 15kΩ resistor to ground pulls the inverter input low if the cable is not connected and insures that inverter output is normally high. When the positive-going pulse arrives on 74HC04 Pin 13, the inverter output (Pin 12) pulls low. ISD1020 Pin 9 pulls low through one diode, which calls the STOP "message" address and the other diode drives the start input. The keyer then plays the very abbreviated STOP "message". See Figure 2.

I recommend the NPN transistor circuit if you are adding to an already constructed keyer.

The STOP "message" interrupts any currently playing message and forces receive mode. If STOP is activated without a message playing, the transmitter will key briefly. Operation with the voice keyer becomes much more comfortable, since I know that any keyer false starts are quickly rectified directly from the keyboard. The voice keyer no longer requires scarce operating desk space as it only must be accessed when messages are re-recorded. We now need a DSP expert to develop a full QSK 'phone transceiver and voice contesting will become almost as refined as CW!

10 January, 1992, N6IP

**FOR SALE**

NEW CUSHCRAFT A3WS THREE ELEMENT  
18+24 MHz 22 POUND BEAM  
STILL IN ORIGINAL BOX NEVER OPENED  
CALL W6ISQ  
GOOD BUY



## BULLETIN BOARD ON NOTICE

The JUG editorial board encourages members to write a paragraph or three for publication, in the JUG of course. That should scare off 98%—maybe 99%—of the readers. But the exclusive 1% is what we're aiming for. We hate to think of all the brains out there wasted just on company reports and memos seen only by the boss. Think of it! The JUG will be read by at least seven other people. Everyone has something to say, you too. A paragraph's worth would be fine! We've had great stories by Founding Pop, KEN, K6PU. How about another one, OM? And it would be a great to hear from each and all contexpeditions.

Write it in your own style, by hand, by pen, or computer. We have translation specialists here at JUG HQ and can handle almost any kind of scribbling. We even take copy by phone. Call and recite your story. Our secretaries will take it down, adding frills if you wish. However, we do appreciate copy in two column form, width to match the JUG format. Helps. If you have a Mac, you can submit copy on a floppy, low density disc.

We forgot to acknowledge that TOM, N6BT, took the photo of BOB, N6TV, and his "SANDY". The grocery store tabloids have quizzed the JUG staff about the photo, but we have refused to sell, so far. There is also a letter from the Aruba Visitor's Bureau. All we're saying is that Sandy disappeared when the tide came in and Bob departed. Broken heart?

DAVE, W6QHS, suggests we offer appropriately lettered T-shirts to all overseas stations who work 50 or more W6s in a contest. That ain't a bad idea, IF, it is also a requirement that the recipients DO NOT also send QSLs.

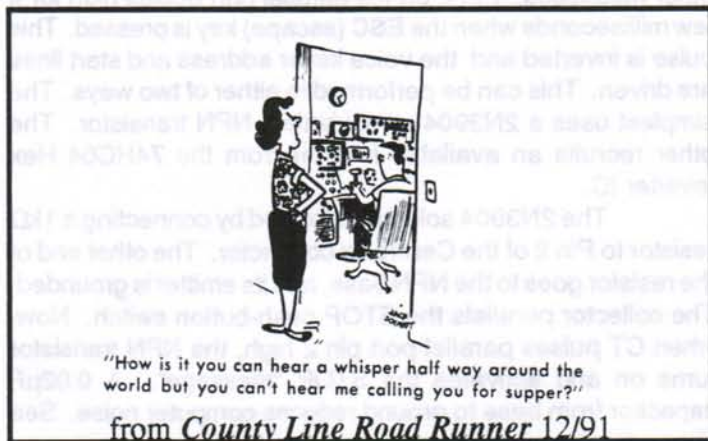
Mark your calendars. MARCH meeting is the Awards Banquet at the Castaway at Coyote Point, Saturday, March 21. APRIL meeting will be back to Miguel's in Hayward. If you recall, we were going to have our Christmas Party there, but changed to Castaway. We left a \$100 deposit at Miguel's, and will get it back when we meet there in April. They reportedly now have their new banquet room in working order, so y'all be sure to come.

Yo fellas, don't nobody really read careful no more? An obvious error occurred in the last JUG and not one of you MMs spotted it, or at least said anything about it. If you had sent in a packet, 2-meter repeater message, or even telephoned, about it to the editors, you would have received a DUB.

That's for everytime. Any mistake in the JUG, packet or repeater it to us, this whatever you think is a mistake. The first three submissions will be rewarded

with DUBs. We retain the right to mispel, on purpose or not, any word we wish, and we will tell you which after you submit your finding! Dice loaded in our favor—executive privilege. No fair reading the packet mail and then sending in for your DUB; you can't copy the other fellas' lead!

Exception: if the mistake is under byline other than the editorial staff, it does not count, they can give out their own DUBS!



## YASME Foundation

P. O. Box 2025 Castro Valley, California 94546

PHNOM PENH, CAMBODIA  
11 JANUARY 1992

Dear Friends,

We have concluded our operation as XU8KG. We were on the air for only 10 days, but managed to work 105 countries. A girl, XU8DX, was very helpful in all of our activities. We operated from the PTT. \* The 2 directors of the PTT were familiar with amateur radio and were of great help. They permitted us also to live in the PTT hotel which was a great help as we could walk from the hotel to the radio operating room in about 3 minutes. Cambodia has gone through a change of government and much fighting in the last 2 decades. Iris stayed up all night long the last day of our license permit. She started at 80 countries and got to the 105 countries worked in the last of our operation. As is often the case we used our equipment and the antennas of XU8DX.

73 ES 88

Lloyd W6KG Iris W6QL

LLOYD W6KG IRIS W6QL



## TROSTEROSTER OF BABES AND DUBS AND STACKS

So who made it to the top this month? **JANE MARIE THOMAS**, that's who! **STEVE, N6ST** and **MELISSA**, welcomed the new contestee January 21 at 5:32 AM. Mom and daughter doing beautifully, especially when the latter sleeps through the night. Dad finding those years of late-night DXing excellent training for new fatherhood. Welcome Jane Marie, and warm and hearty congratulations to the very proud parents. Pictures forthcoming for next issue?

NCCC reinstated former member, **RUBIN, WA6AHF**. He explained in his re-application that he worked 88% phone, 10% RTTY and 2% CW. Really. Question: where did that 2% CW come from? Has anyone out there ever heard Rubin on CW? Ever? Anybody? Yes, would you believe it, I have! Rubin switched to CW for me when he was on a DXpedition to KC6 long ago. It took us a while but we made it. Thank you, Rubin and welcome back. But 2%????

We read in February QST article, "Results, 6th IARU HF World Championship" that "**BRUCE, N6TV**, narrowly defeated **JOHN, W2GD** and **DON, K1TO**" in the CW only class. Wonder if "**BRUCE, N6TV**" is **BRUCE, N6TU** or **BOB N6TV**". Whoever it is, we apparently have a weener here in NCCC. Congrats to either or both. If it were TV-BOB, you can understand what enthusiasm that weekend with Sandy" generated for his competitive instincts.

**DUB AWARDED. BOB, W6RGG** noted the JUG mentioned that **ALEX, KI6EZ**, made his 5 Meg point award after he participated in the PJ9W operation. Incorrect, the first mistake your editors have made in the past 7 years. First of all, Alex made his 5 Meg award before the PJ9 operation. And second of all, he could not have received points from PJ9 trick because to receive 5 Meg points, the operation must be from within the NCCC geographic area. even though this was a factual error, not a technical one in accordance with the offer outlined in the Bulletin Board, **W6RGG** wins a DUB for this astute observation. Thanks, Bob.

When has the west ever been so wild? **TOM, N6BT**, can tell you when. It was when he created a full stack of Yagi's, in four days, in freezing weather, at **WA7NN's**, for **CQWW**. The 40 meter beam was completed while **op N6KT** was blasting away on 20. Full account, believe it or not, will be forthcoming in this publication soon.

P.S. **KC6NE** wants some input from more of the YLs and XYLs. We've always got space for a bit of bragging from the gals.

## Texas QSO Party

de Joe, W5ASP

As most of you may know by now, the TDXS is taking over the responsibility for the annual Texas QSO Party. This event has been handled in recent years by the West Texas DX Association with help from the Big Bend and Midland ARCs. Now that the 5th District QSL Bureau has moved to Midland, i.e., **WF5E** and the local crew are up to their "bippys" in the never ending flow of incoming cards. They just haven't the time or resources to keep both activities going.

For TDXS this presents the opportunity to dust off and bring out of the cellar one of our more famous contributions to ham radio...the Armadillo! **Yep, the Armadillos will be off and running again this year after a long absence.** (For those of you who don't know of this epic era, see the April 1986 QST, page 73. Just the cover itself is enough to stir the memories of those who were involved!)

This year's event will be scheduled for the weekend of **May 1-3**. The rules will be pretty much as in the past with a few notable exceptions. For example, there will be a "multi op" mobile category, special "Armadillo County" awards for out-of-state entries, and an internal TDXS competition involving TDXS member numbers. A complete set of rules will be released before the end of the month. Suggestions are welcome, but needed a.s.a.p., the stuff has to go to the magazines in late January.

FROM JAN '92 BULLSHEET, TEXAS DX SOCIETY  
THIS IS A GOOD CONTEST, MARK CALENDAR



WATCHING THE GOOD TIMES ROLL AT THE CHRISTMAS PARTY  
TOP LEFT: N1EE; KAGING AND SON-IN-LAW, WA6VEF;  
K6RK; AJ6V



# NEW GARDEN SPECIES

## FLORAL ANTENNA

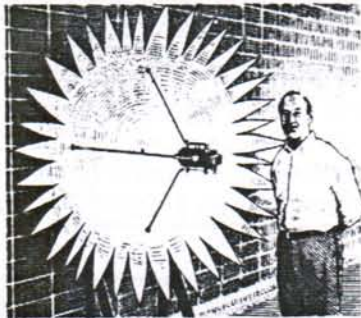
FROM WALL STREET JOURNAL 12/16/91

### Cutting Edge Sharpens Antenna Performance

**B**ACKYARDS may one day grow a new kind of flower.

Researchers at the Georgia Institute of Technology have found that television and other dish antennas work better if their edges are cut like flower petals. By gradually reducing the electrical field at the edge of the dish, the petals provide better reception and transmission.

Scientists have tried to reduce uncontrolled scattering of energy



Edward Joy and floral antenna

in parabolic antennas by rolling the outside edges, placing absorbent materials around the rim or adding triangular serrations. Nothing has worked as well for the money as flower petals, says Edward Joy, professor of electrical engineering at Georgia Tech.

"The rolled edge works better, but it's very costly," says Dean Mensa, senior technologist at the Navy's Pacific Missile Test Center in Point Mugu, Calif. "The flower petal is a good compromise between cost and performance."

Flowery antennas haven't yet begun to spring up in backyards, but Dr. Joy predicts they will as more communications satellites go into orbit. Ground-based antennas will have to be better designed, to receive only the signals meant for them, he says.

The floral antenna was an accident, Dr. Joy says. "We told the computer how much we'd like the electric fields to fall off, and out popped a flower petal."



BOB N6TV PRESENTING THANK YOU TO KEN WOLFE, K1EA

Last summer Bob N6TV, asked Ken Wolfe, K1EA, to modify his famous computer contest program for use in NCCC's, CQP contest. Ken did it, it was great, and so when Ken later made a business trip to the Bay Area, Bob arranged a thank you presentation opportunity in appreciation. Bob was able to find a bottle of Napa Valley's finest with label personalized (by N6EK of course) to K1EA as thanks.

Ken hails from Yonkers N.Y. In addition to K1EA, Yonkers also claims Major Edwin Howard Armstrong, "Dolly", and a local W6. A DUB to the first three who can identify the W6.

### TEMPLATE FOR IBM CT PROGRAM

CT - K1EA

SEND CO	SEND EXCHANGE	<p><b>CUT THIS OUT</b></p> <p>PLOT INFORMATION</p> <p>ORIENTATION</p> <p>HORIZONTAL</p> <p>LOCATION</p> <p>LEFT HALF</p> <p>PAPER SIZE A WITH A PAPER</p> <p>MARGINS</p> <p>2</p> <p>9/16 13/16</p> <p>2</p> <p>PLOTTER: 7475 OR</p> <p>LASERJET+ - 300DPI</p>
SET F1 MESSAGE	SET F2 MESSAGE	
BAND DOWN	BAND UP	
SEND CONFIRM	SEND mycall	
SET F3 MESSAGE	SET mycall	
CALL OUT DX	GRAB SPOT	
SEND HIS CALL	SEND CL?	
GRAB FRQ.	SET F6 MESSAGE	
SEND ?	CHECK PARTIAL	
SET F7 MESSAGE	SUPER PARTIAL	
SEND GOAWAY	WIPE QSO	
CHECK CALL	CHECK COUNTRY	
SPEED DOWN	CHK. ZONE COUNTRIES	
	SPEED UP	

NORMAL SHIFT KEY ALT KEY

This template for the IBM-CT program was designed by Jim, WA6SDM.

Directions for use:

1. Paste index card on back
2. Cut out as shown
3. Place over function keys

WA6SDM can supply extra copies of cut-out function-key template

ED NOTE: NCCC ANTENNA ADVISOR N6BT IS COMPUTERIZING YAGI VERSION OF THIS "FLOWER".



## HENRY'S HONKINGS BOD MEETING

The January Board of Directors' meeting was held on January 16, 1992 at 6:15 PM at Harry Hofbrau. KA6ING, N3AHA, WA6SDM, KJ6LD and W6ISQ were present.

1. The contest of the year award was discussed. This award has not been given for over five years, and the board felt it should be started up again. W6RGG was appointed by Louese to be the head of a committee to identify worthy recipients for this year.

2. Plaque type awards will be given out for only CQP & CQWW this year. Certificates will be given for SS.

3. N6EK wishes to relinquish the position of contest chairman for next year, as he expects to be out of town a significant amount of the time. Anyone with interest should contact Louese.

4. The club has almost run out of CQP wine labels and is purchasing more.

## NCCC TREASURER'S REPORT JULY 1, 1991 THROUGH JANUARY 16, 1992

	BUDGET	TO DATE
Membership Dues	\$3,000.00	\$2,900.00
Donations		\$1,580.77
JUG and Roster Ads	\$670.00	\$270.00
JUG and Roster Publishing	(\$1,800.00)	(\$1,324.93)
CQP	(\$1,000.00)	(\$248.14)
Membership Awards	(\$1,000.00)	(\$217.04)
Visalia Hospitality	(\$200.00)	\$0.00
Self-funding Events	\$0.00	\$12.60
Sponsored Awards	(\$150.00)	\$0.00
Contingency Fund	(\$200.00)	(\$47.05)
<b>Total</b>	<b>(\$680.00)</b>	<b>\$2,926.17</b>

### Notes:

As of January 16, 1992, the balance in our Wells Fargo checking account is \$3403.70. (The repeater fund does not belong to the club, I do not include it in the Treasurer's report.)

## PROPOSED BYLAW CHANGE

### NEW FAMILY MEMBERSHIP

This proposal for a Family Membership to be added to our membership classifications, was submitted to the BOD in August by N6EK, seconded by four Board members. The measure must pass by a two-thirds majority of the votes. Read proposed change below left. Vote, Yes, in favor; No, opposed; detach ballot, mail as directed using two envelopes.

### It is proposed as follows:

Replace Article III, Section 1 Header with:

Section 1: The Club shall be comprised of three classification of members: Full, Associate and Family

Add to By-Laws, Article III, Section 1 after section B:

C. Family Membership is available to families who have two or more licensed amateurs residing in the same household. Membership standards for family members shall be the same as for full members. One family member shall pay full dues and the remaining ones shall pay at the associate member rate. All family members shall be considered full members, except that only one copy of the JUG shall be sent to the household.

Change Article III, Section 1, subsections C and D to subsections D and E respectively.

## BALLOT

By-Laws change to create a family membership class.

YES \_\_\_\_\_ NO \_\_\_\_\_

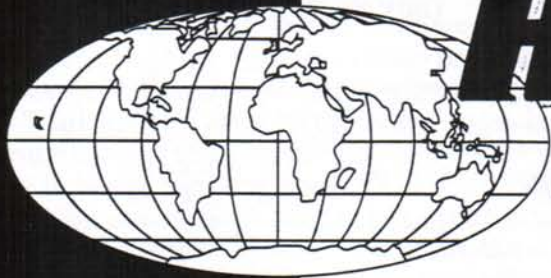
Voting Instructions(Read Carefully!):

Send the ballot to KJ6LD postmarked no later than March 31.

Use two envelopes as follows: The outer envelope that you mail it in must have your call on it. If it does not, the ballot will not be counted. Then place the ballot in an sealed inner envelope with no markings on it.



— 11 STORE BUYING POWER —



# HAM RADIO OUTLET

WORLDWIDE DISTRIBUTION

**Phone Hours:**

9:30 AM to 5:30 PM

**Store Walk-In Hours:**

10:00 AM - 5:30 PM

Closed Sundays

**NOW TOLL FREE IN CANADA!**

**CALL TOLL FREE:**

West ..... 1-800-854-6046

**-NEW ADDRESS-**

SUNNYVALE, CA 94086  
510 Lawrence Express #102  
(408) 736-9496  
(800) 854-6046  
Tom, KB6LUC, Mgr  
Lawrence Express  
500 from Hwy 101

**OAKLAND, CA 94606**

2210 Livingston St.  
(510) 534-5757  
(800) 854-6046  
Rob, WA9WVB, Mgr  
Livingston Ave. 2210

ICOM

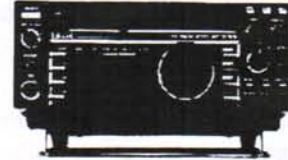
**IC-765**



100W HF Transceiver  
General Coverage Receiver  
Maximum Operation Flexibility

ICOM

**IC-735**



100W 12 volt • 12 channel memory  
General Coverage • IF Notch & QSK

ICOM

**IC-725**



100W General Coverage  
Receiver, HF All Band  
Compact Transceiver

**FEBRUARY IS ICOM MONTH AT HRO**

**ICOM DAY IS FEBRUARY 22  
AT THE OAKLAND STORE**

— **NEW LOCATION! NOW IN SUNNYVALE** —  
**ACROSS EXPRESSWAY FROM FRY'S ELECTRONICS**



February 1992 JUG  
NCCC  
44 Toyon Terrace  
Danville, CA 94526  
FIRST CLASS

FIRST CLASS  
FIRST CLASS

Rusty Epps W6OAT  
651 Handley Trail  
Redwood City, CA 94062

92