

Club Repeaters W6RGG/R 147.24+, 442.200 (107.2PL)

NEXT NCCC MEETING!

The next meeting will be on February 21, in the cafeteria of building 50 at HP Santa Clara. . (That's the "usual" HP place.) It is on Stevens Creek Road, between Lawrence Expressway and Interstate 280. The program will feature K2KW showing pictures and talking about his ARRL DX-CW Dxpedition to 6Y. Ken's presentation will be followed by a "pep rally" for ARRL DX-SSB. Pizza from Rusty's "Give Pizza Chance" at 6:30, and the business meeting at 7:30.

Cook Book

Hello gang! I will be "on the road" from January 30 until February 5, then in Aruba from February 6 until March 4. I hate begging grown men/women to get on the air to help out the club that they are members of because of their undying love of contesting, so I hope a "soft-sell" type of "GET ON THE AIR FOR THE CLUB!" sales pitch will push all members into doing their best for the group!

73, Carl, AI6V

NCCC Officers

If you have a question or a suggestion, let your officers know about it! (E-mail addresses are given. Other particulars can be found in the NCCC roster.)

- President Carl Cook, AI6V ai6v@aol.com
- Vice President/CC Jim Hollenback, WA6SDM
jholly@cup.hp.com
- Secretary/Treasurer Ed Muns, W0YK
w0yk@msn.com
- Directors
- Ken Silverman, K2KW
ken.silverman@atlas.ccmail.airtouch.com
- Bruce Sawyer, N6NT
n6nt@worldnet.att.net
- Dave Curtis, N6NZ
David_b_curtis@ccm.sc.intel.com
- Andy Faber, AE6Y ae6y@aol.com

Contest Calendar

February

- Delaware QSO Party Feb 1,2
- Dutch PACC 1200Z, Feb 8 to 1200Z Feb 9
- Asia-Pacific Sprint 1230Z-1430Z Feb 8
- YL-OM, Phone 1400Z, Feb 8 to 0200Z Feb 10
- RSGB 1.8 MHz, CW 2100Z, Feb 8 to 0100Z, Feb 9
- NA Sprint, CW 0000Z-0359Z Feb 9
- ARRL DX, CW 0000Z, Feb 15 to 2400Z, Feb 16
- CQ 160, Phone 2200Z, Feb 21 to 1600Z, Feb 23
- North Carolina QSO Party
0000Z, Feb 22 to 2400Z, Feb 23
- REF, SSB 0600Z, Feb 22 to 1800Z, Feb 23
- UBA, CW 1300Z, Feb 22 to 1300Z, Feb 23
- YL-OM, CW 1400Z, Feb 22 to 0200Z, Feb 24
- RSGB 7 MHz DX, CW 1500Z, Feb 22 to 0900Z, Feb 23

March

- ARRL DX, SSB 0000Z, Mar 1 to 2400Z, Mar 2

Treasurer's Report, December 31, 1996.

1996-97 Year-to-Date

Income	Budget	Actual
Membership dues	\$4188	\$3918
Advertisements	\$300	
General fund contributions	\$200	\$531
CQP contributions	\$0	
Non-member JUG subscriptions	\$0	
Total income	\$4688	\$4449
Expenses	Budget	Actual
JUG & special mailings	(\$3233)	(1455.44)
NCCC share of CQP expenses	(\$400)	998.39
Awards	(\$650)	35.00
Xmas Banquet	0	79.49
Awards Banquet	0	(250.00)
Visalia Hospitality	(\$150)	
Vanity callsign for club call	(\$30)	
CQWW, WPX awards	(\$125)	(50.00)
Contingency	(\$100)	
Self-funding events (Banquets, badges)	(\$0)	113.24
Total expenses	(\$4688)	(529.32)
Activity credited to FY 95-96 (CQP expenses)		(576.50)
Activity credited to FY 97-98 (advance dues payment)		96.00
Activity credited to FY 98-99 (advance dues payments)		24.00
General fund at December 31, 1996		5608.88

Notes: 28 members have not renewed as of 1/25/97.
1996 Awards expense not yet incurred.

Respectfully submitted,
Dick Dievendoff, K6KR
Ed Muns, W0YK

Computer Usage

The message on the Contest Reflector from Tom, NMIQ, requesting information on computer usage by contesters tickled a memory cell (or two) regarding an article in NCJ a few years ago. Such things have a nasty habit of rambling around between my eyeball and eyelids when I'm trying to sleep, so I had to track the quote down.

In the Jan/Feb 1989 issue, WB0IKN and N10E wrote:

"If you are trying to win the contest or be in the top ten, on-line logging is probably not for you."

and,

"The real benefit of on-line logging is for the stations who are not particularly interested in winning."

and,

"On the whole, we do not feel that serious operators will gain much benefit from on-line Sweepstakes logging...."

Migawd, that was written only 7 years ago! "CT" was mentioned, but the "hot" logging programs reviewed in that issue were "Contest 300" and "SCORE". Where are they today?

73, de Hans, K0HB

Updated NCCC ARRL Expedition List

As you hear of NCCC members going on ARRL DXpeditions, please have them give me a call. Here is the updated list:

Kenny, K2KW

ARRL DX SSB:

P4	AI6V +	M/S Planned
KH6	AH7G	SOAB

ARRL DX CW:

6Y	K2KW, N6TV, N6BT, WS4E	M/2
P4	AI6V+	M/S Planned
V2	K6PJY, K6XV	M/S or M/2

WRTC '96 Video Now Available

Through the courtesy of WJET-TV, Inc. and station owner K3TUP, production of the WRTC 96 video has been completed and the tapes are now ready for distribution. This 27-minute documentary of the biggest contesting event of 1996 captures all the excitement and drama of the competition and presents the contesting hobby at its very best.

Distribution of the tapes is being handled under the auspices of the Northern California Contest Club and the Slovenian Contest Club. The tapes are available for a nominal shipping and handling fee, and

any excess funds remaining after distribution will revert to the sponsoring organizations.

If you want to order a tape recorded with NTSC format (the format in use in the US), send \$10 in US currency (or a check made payable to Bruce Sawyer) together with a gummed address label (maximum size 2" x 4") to the following address:

Bruce Sawyer, N6NT
15430 Bohlman Road
Saratoga, CA 95070, USA

If you want to order a tape recorded with PAL format (the format in use in many European countries) send either \$10 in US currency or 15 DeutschMarks together with a gummed address label to the following address:

Tine Brajnik, S50A
Maroltova 13
1113 Ljubljana, Slovenia

We are prepared to ship to any location, worldwide, for the \$10 shipping & handling fee. Our goal is to make available a copy of this tape to anyone who wants one. Thus we do request your help in reproducing this announcement wherever you think appropriate in order that as many people as possible can be made aware of the video.

This announcement supersedes the information shown at the end of the tape, as that notice was prepared before we had fully analyzed our distribution costs.

73, Bruce Sawyer, N6NT
Co-chairman, WRTC '96

Bad News...

... Good News

By now, most of you know the bad news... Dick Dievendorff, K6KR, (ex-AA6MC) has moved out of the NCCC area, and has resigned his position as NCCC Secretary/Treasurer. The club members extend a sincere "thank you" to Dick for all he has done for the club in this position, as a key player in the highly successful WRTC event last summer, and for his contributions to the scores of the NCCC in previous contests! It is to be hoped that Dick will maintain his NCCC affiliation as an associate member. Now for the good news... Ed Muns, W0YK, has volunteered to serve as Secretary/Treasurer to finish out Dick's term. The financial books and the membership database have

been transferred, and Ed is up to full speed with all of the tasks involved.

The March meeting of the NCCC will be the AWARDS BANQUET. Mark your calendars for this one! It will be on Sunday, March 23 at the Pleasanton hotel. The menu will be announced later. Prices will be in the 25-30 dollar range, inclusive of tax and service.

73, George, K6GT

New

Participation Awards!

This year the NCCC will be making participation awards to club members who submit entries for the 1997 ARRL DX contest! The awards will be made to Single-ops (only) who operate from within the club territory. A total of 250 QSO's will earn you a nice certificate, and 500 total QSO's gets you the very popular NCCC mouse pad. Participants are encouraged to work both modes. Please submit your entries to the ARRL. Award recipients will be judged by the scores (*i.e.* copies of your "summary sheets") submitted to the VP/CC.

Jug Head Award

This is a very prestigious and highly sought award. To qualify you must send to the VP/CC the number of NCCC members you worked in the November SS contests.

Scores and more

SS SSB	
N7TR	354,276
N6TV	191,412
N6VV	171,600
KT6RA	171,132
K6HNZ	159,276
NI6T	154,596
W6PYK	148,512
K6PU	136,032
AC6DQ	126,048
N6TNX	100,320
W6RJ	67,080
K6XV	57,912
K6XX	42,772
W6PLJ	31,944
W6REC	12,878
W6CF	7,918
WB6DSV	5,476
K6LRN	3,712

SS CW

N6TV	180,180
NI6T	151,788
N6IP	106,548
N6VV	83,904
W6REC	79,872
K6XV	69,856
KI3V/7	54,400
W6CF	10,058
WB6DSV	6,720
WA6TKV+	
KD6KKP	105,182

ARRL 10 METER

N6RO	130,135
K6HNZ	65,280
N6CCL	26,488
K6GT	24,390
W6ISO	13,794
KO6IG	3,280
N6NZ	108

ARRL 160 METER - CW

K6UM	6,179
WA6CTA	5,075
NI6T	910

NAQP - CW

K6GT	33,335
W6CT	27,540

NAQP - SSB

K6GT	33,925
------	--------

CQ-WW CW

K6KM	1,107,187
K6GT	106,738
K6XX	514,048
NI6T	33,752
5V7A (W6RGG)	
	2,828,125

CQ-WW SSB

NI6T	77,786
------	--------

ODDS AND ENDS

CQP, WA6TKV	164,546
ARRL RTTY, W6ISO	6,480
ARRL VHF SS, W6ISO	780
NA SPRINT CW, N1EE/6	7,880

Sweepstakes update ... with the scores that I have to date the club total is 5,694,374.

Don't forget the ARRL DX contests coming up, both CW and SSB. If you're going on a DXpedition, don't forget, your scores can count toward the club scores!

Send your scores and such to me via e-mail;
jholly@cup.hp.com,

or by snail-mail

1799 Westhaven Dr.

San Jose, CA 95132.

(My home phone is 408-258-0128.)

73, Jim, WA6SDM

Changes to CQP?

I would like to see us make some changes to do the following:

a) encourage low power CQP operation. Right now there are awards only for the top low power finisher, although in high power the top 3 get awards.

b) establish a QRP class.

c) set up a web site. In this regard, I note that the PA QSO party has a very nice one that has rules, scores, records, history of their sponsoring club, etc.

Regarding the low power and QRP classification, these categories are at least partly responsible for the large following in SS. Many people prefer them as modes of operation, and, if we encourage them we will get more total participation, because people will be able to shoot for awards in those classes.

73, Andy, AE6Y



Kilo 6 Gray Tabby and friend work the NAQP-SSB.
Is this single-op assisted?

Increasing Amplifier Relay Speed

by Bob Wolbert, K6XX

The first element of all of my transmissions was shortened when running the amplifier. Worse, the transmitter ALC swung high, which automatically reduced transmitter power for several seconds. Both problems were traced to a slow acting T/R relay in the amplifier.

The circuit (Figure 1) speeds the relay by blasting it with twice the normal coil voltage when first activated. The coil voltage decays to normal within a few milliseconds (decay time is proportional to the capacitor size; $47\mu\text{F}$ is a good starting point). This circuit was designed by Tony, K1KP.

This circuit only does its magic with amplifiers that switch a relay coil to transmit. Also, the relay must use a DC coil. Suitable amplifiers include the Drake L4B and L7, Ameritron amps, and the TL-922.

Does this harm the relay? I don't think so. For example, W6CYX has modified the relay supply voltage in his TL-922 (which has an *exceptionally* sluggish relay) so that it is double its design voltage full time. He has run it every day for several years without problems.

After adding these parts to the T/R cable from the rig to the amplifier, my AL-1200 no longer truncates leading dots, even at high speed (or at least what I consider high speed...). If your amplifier has slow T/R switching, why not install this simple circuit in the T/R line?

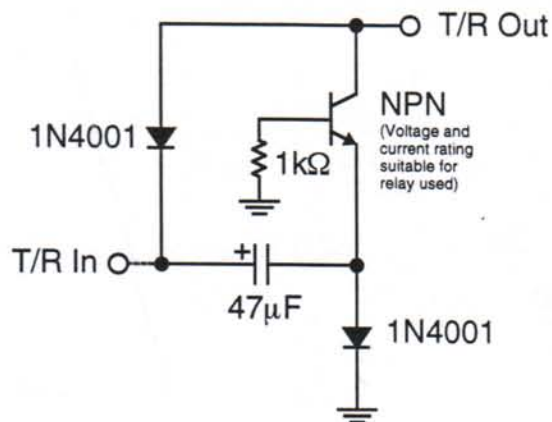


Figure 1. Relay Accelerator Speeds Your Amplifier

Circuit Operation

When the amplifier is initially powered up, the T/R Out voltage rises, charging the capacitor through both diodes. When T/R In is pulled low (to about zero volts), the emitter of the NPN transistor suddenly falls to a negative voltage—nearly equal in magnitude to the open key voltage (V_{OPEN}) on T/R Out. The transistor turns ON and the instantaneous voltage on T/R Out is $-V_{\text{OPEN}}$. The relay coil sees twice V_{OPEN} across it and closes faster than normal. As soon as the capacitor discharges, the relay coil only sees V_{OPEN} , so coil power dissipation remains normal.

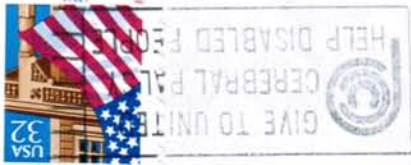
When T/R In goes high, T/R Out stays low only until the capacitor charges up again—a very short while. The $1\text{k}\Omega$ base resistor is needed to prevent the transistor from clamping the negative spike to only -0.7V (and also avoids destructively high base currents).

Before you select a transistor, measure V_{OPEN} and the short-circuit (key down) current through T/R Out. The Ameritron relays generally run 12V at about 100mA . The L4B switches 50V at 50mA . Make sure your transistor can handle both the open circuit voltage and the short circuit current. The capacitor must have a voltage rating above V_{OPEN} .

Full through June 30, 97
Charles K. Epps, W6OAT
651 Handley Trail
Redwood City, CA 94062

FIRST CLASS

FIRST CLASS



NCCC
44 Toyon Terrace
Danville, CA 94526



HAM RADIO OUTLET

WORLDWIDE DISTRIBUTION



Look for the
HRO Home Page
on the World Wide Web
<http://www.hamradio.com>

SUNNYVALE, CA 94086
510 Lawrence Expwy. #102
(408) 736-9496
(800) 854-6046
Ken, K1ZKM, Mgr.
K0M@HAMRADIO.COM

OAKLAND, CA 94606
2210 Livingston St.
(510) 534-5757
(800) 854-6046
Mark, KE6OFF, Mgr.
1-880 at 23rd Ave. ramp

NEW! IC-756

All Mode Transceiver! PC Ready!

IC-706 All Mode Transceiver

- 100W HF + 6M/10W 2M
- All Modes including FSK
- Detachable Control Panel and Display
- 102 Alphanumeric Memories
- Noise Blanking

Call Now For Your Low Price!



FT-1000MP HF Transceiver **NEW!**
• Enhanced Digital Signal Processing
• Dual RX
• Collins SSB filter built-in
• 100W. Power supply built-in
Call Now For Low Intro. Pricing!



TS-870S HF Transceiver
• DSP in I.F. Stage!
• Dual mode noise reduction
• Digital Filtering (no opt. filters req.)
• 100W, 12V DC
• Built-in RS232. Windows software incl.

